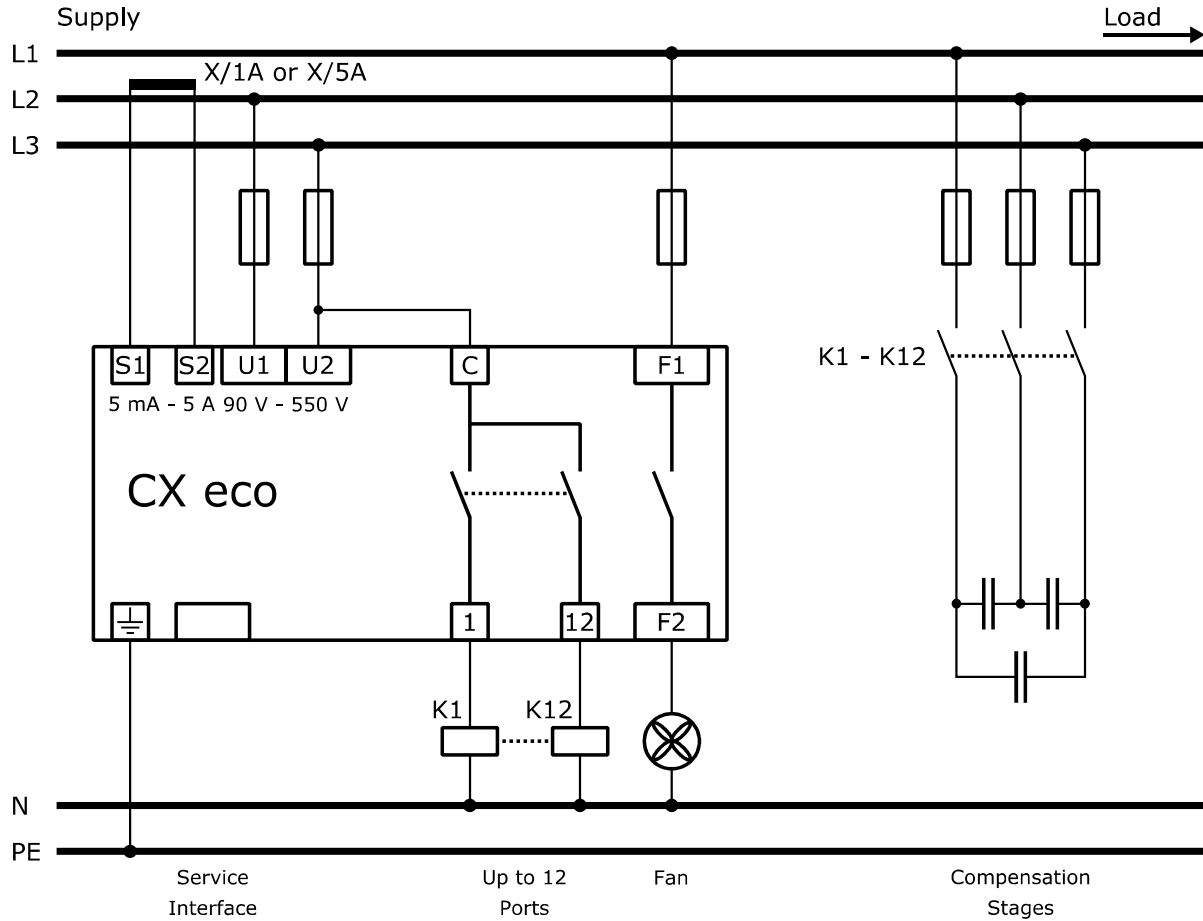




3. Connection

3.1 Connection diagram



NOTE: The CX eco is designed to control **capacitive or inductive** stages. Operating both stage types simultaneously is not possible.

NOTE: The relay stage outputs are **not** suitable for controlling thyristor switches.

3.2 Options

| Designation | Option |
|-------------|--------------------------------|
| CX eco -06R | 6 Stage outputs, Type: Relays |
| -12R | 12 Stage outputs, Type: Relays |