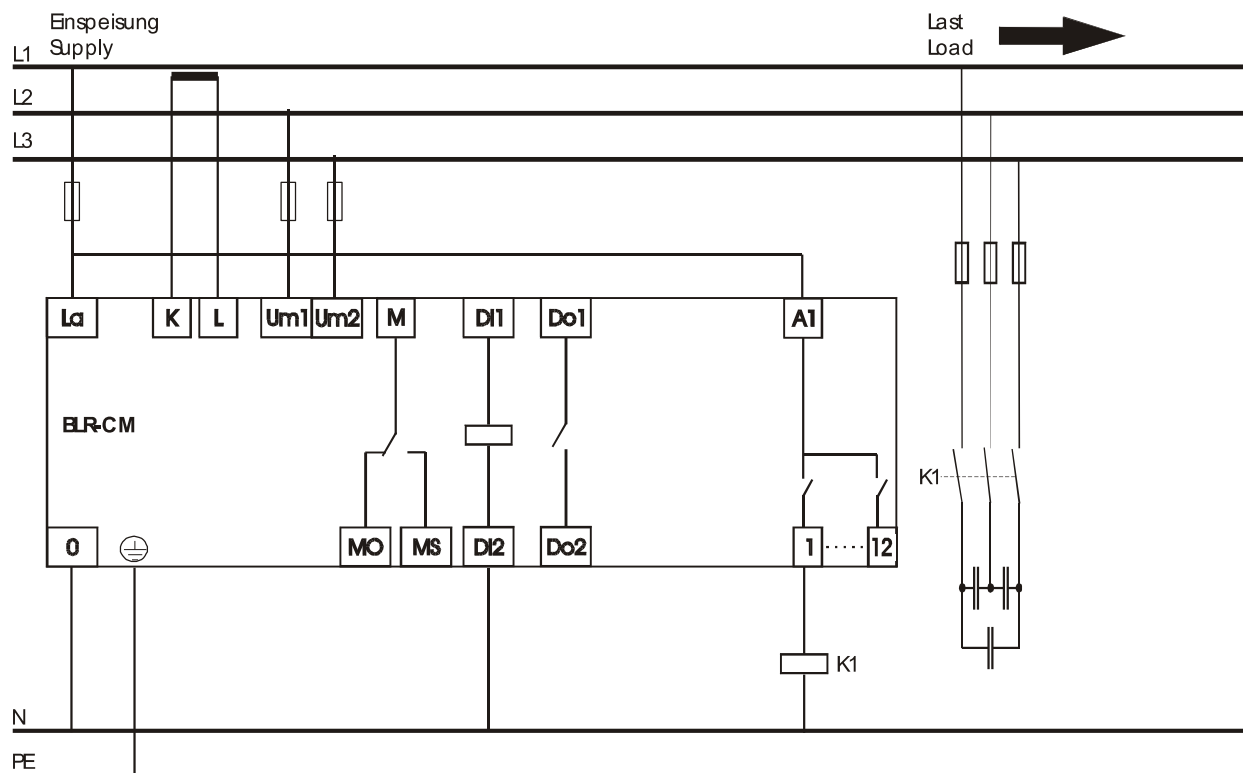
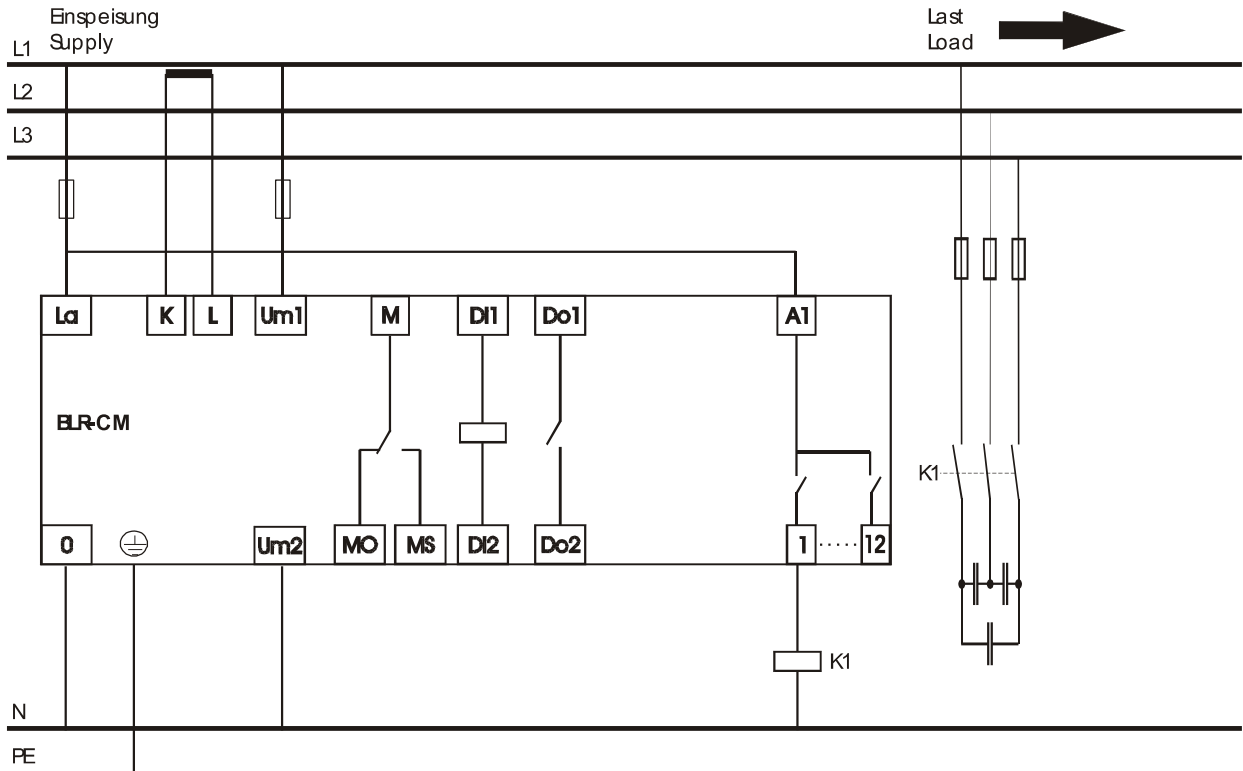
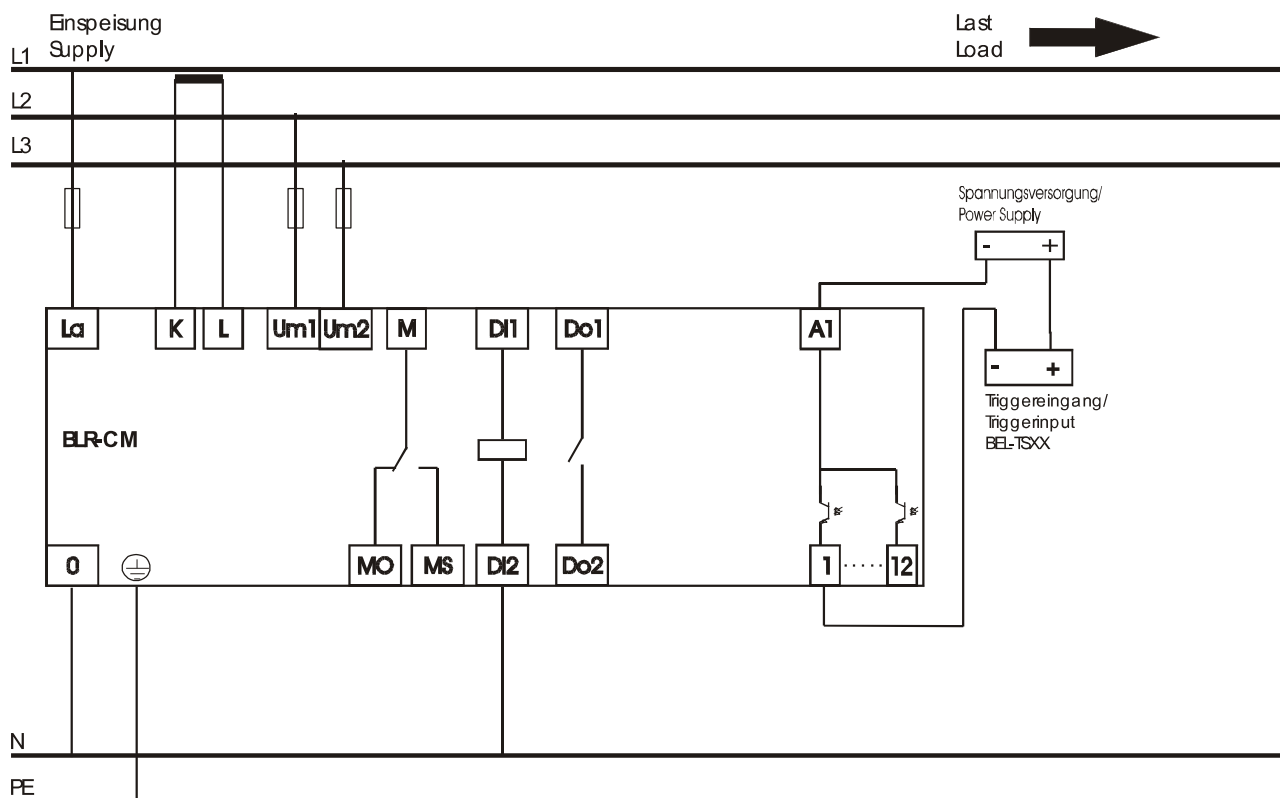
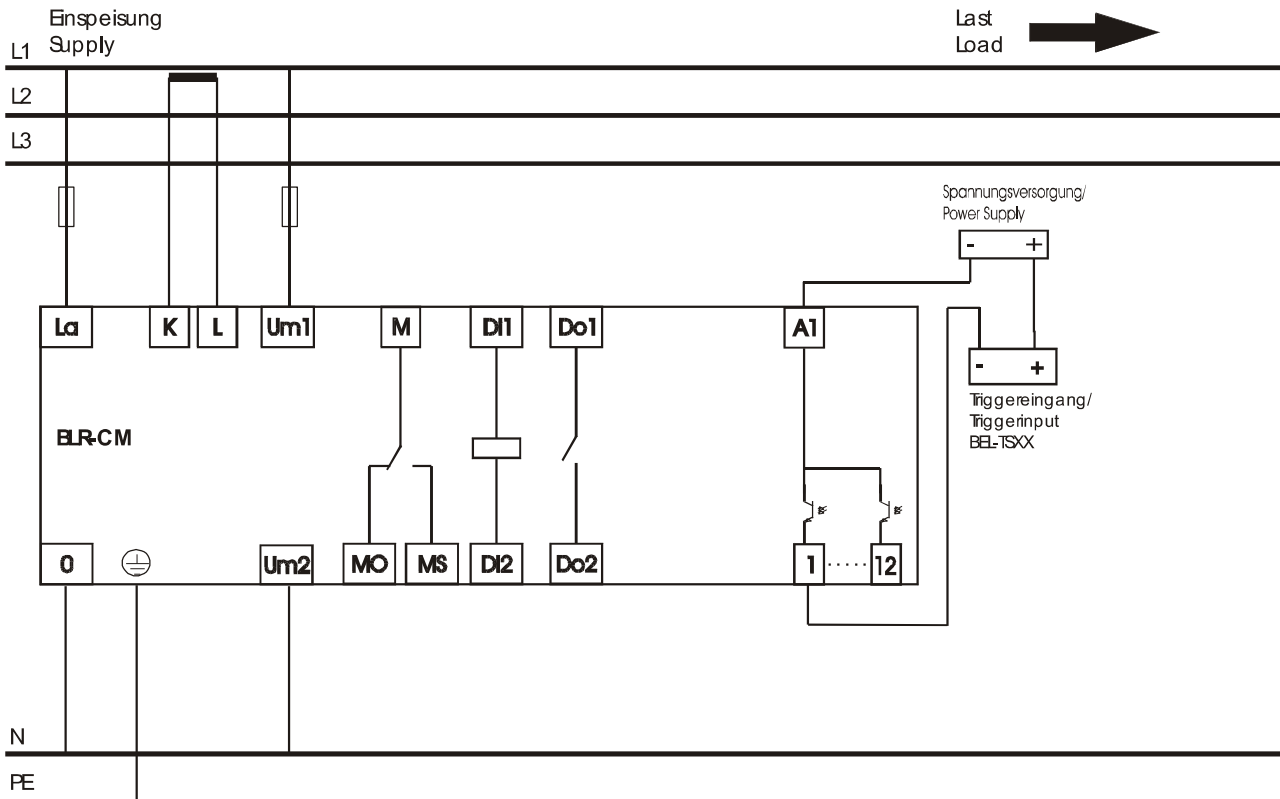


3 Anschluss BLR-CM

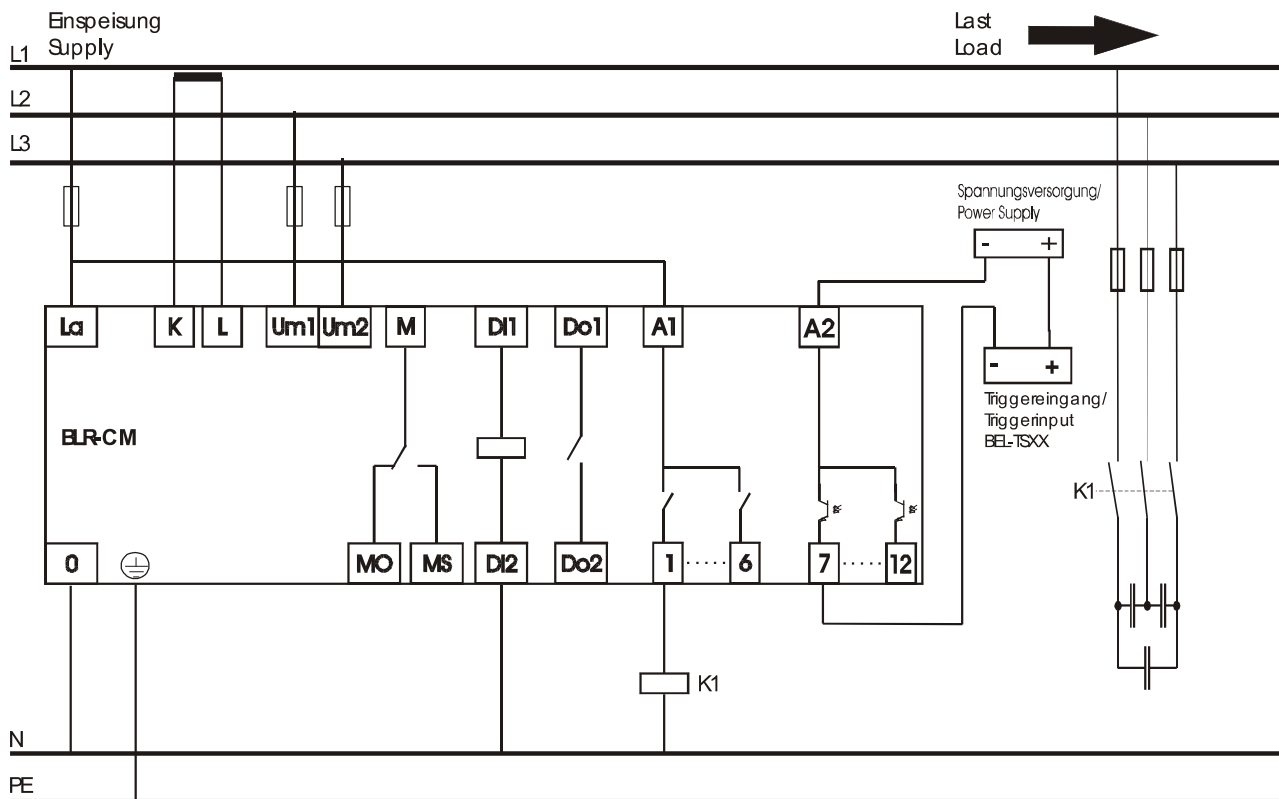
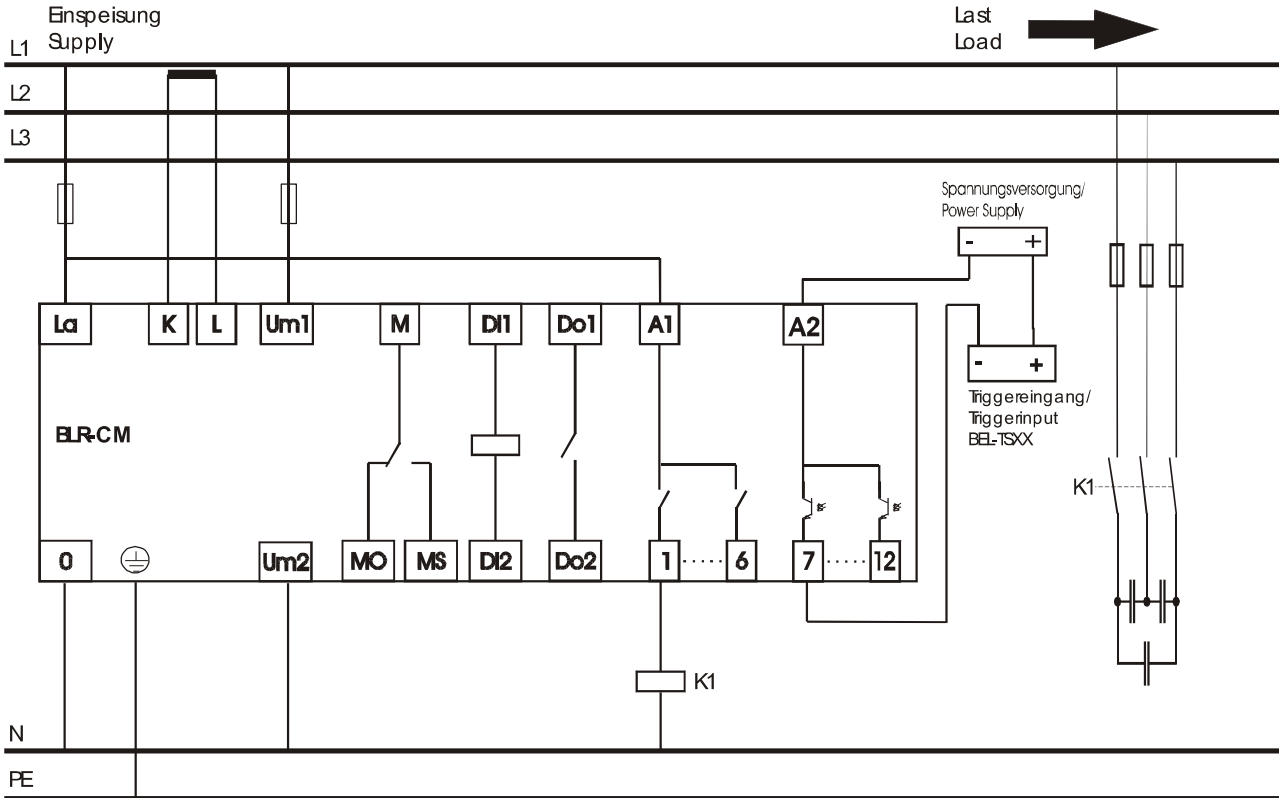
3.1 BLR-CM06/12R



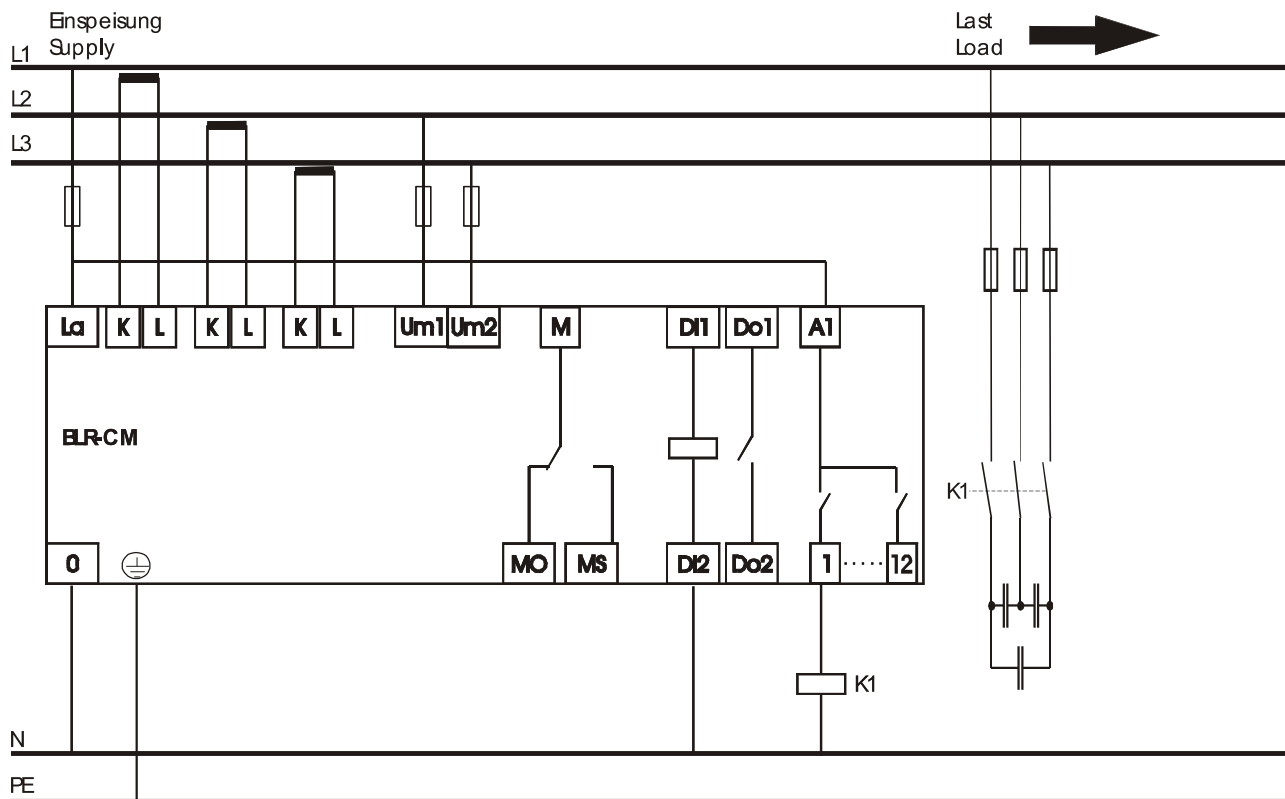
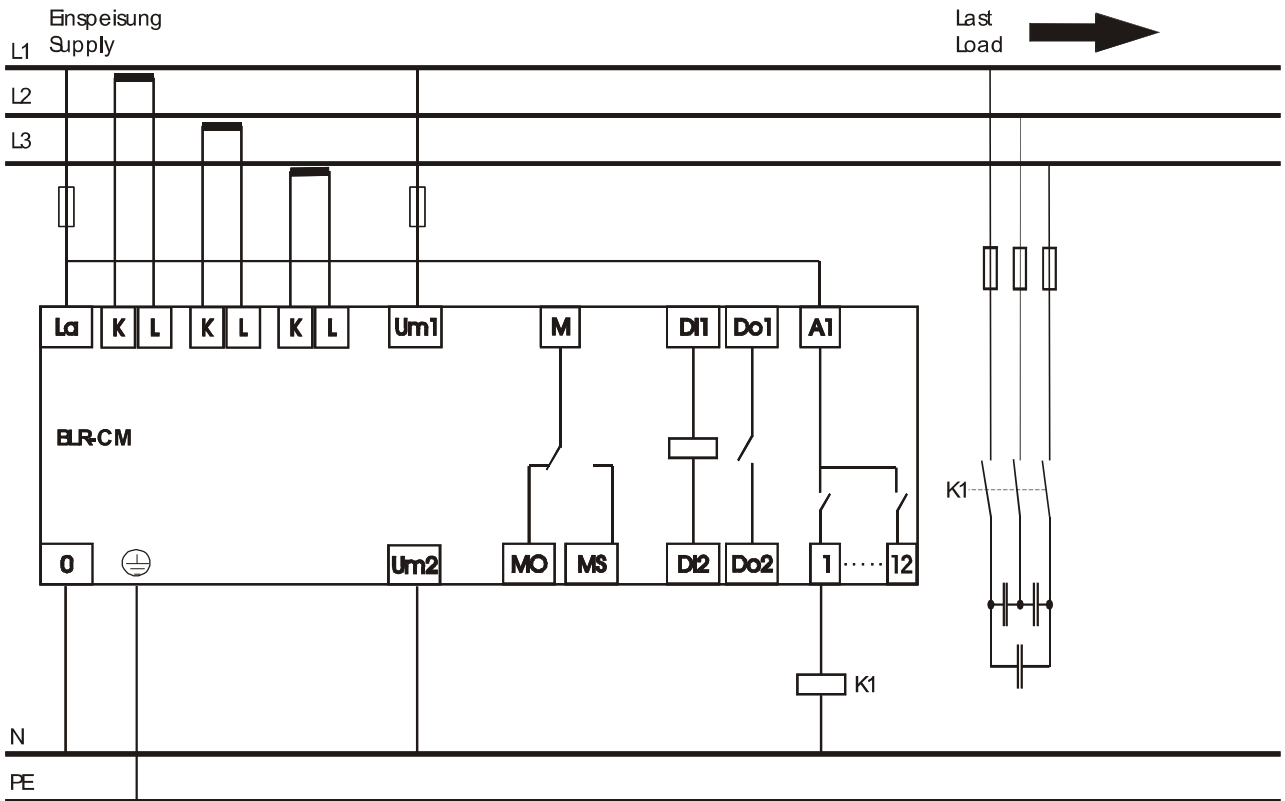
3.2 BLR-CM06/12T



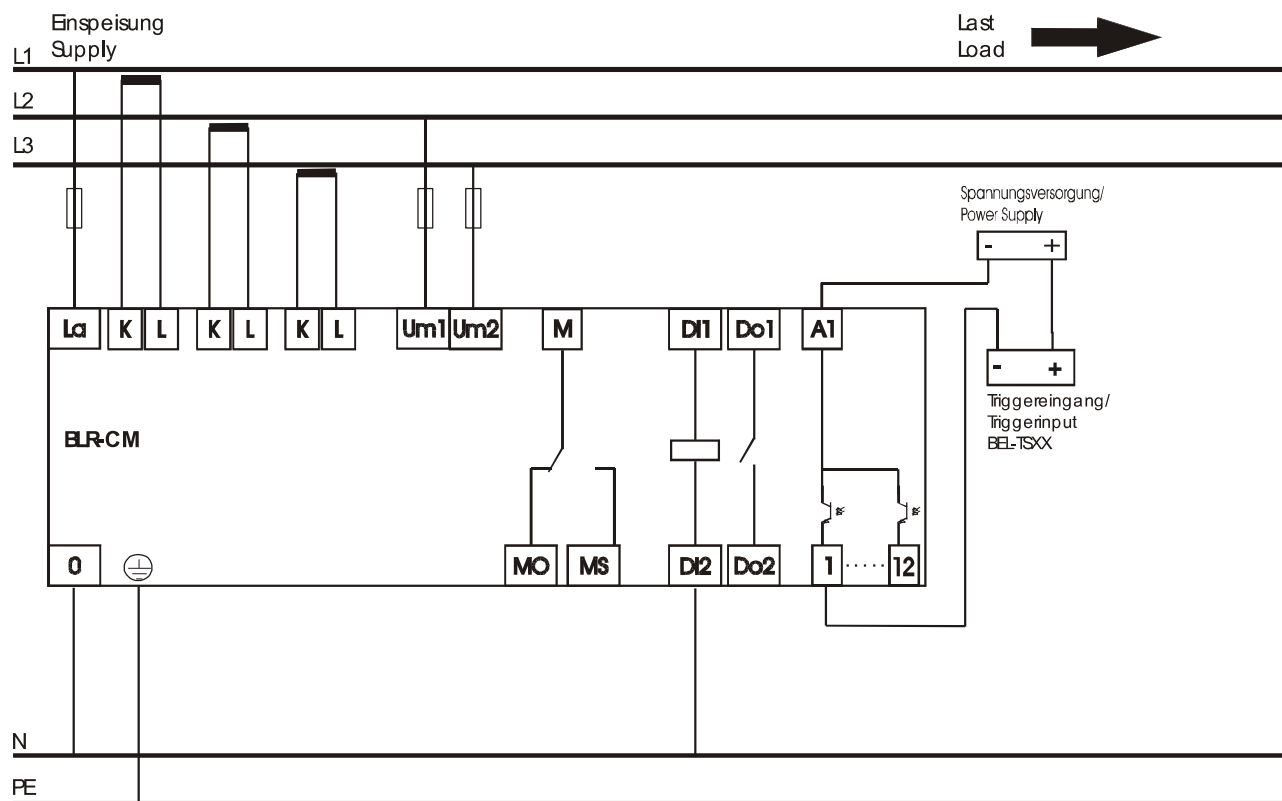
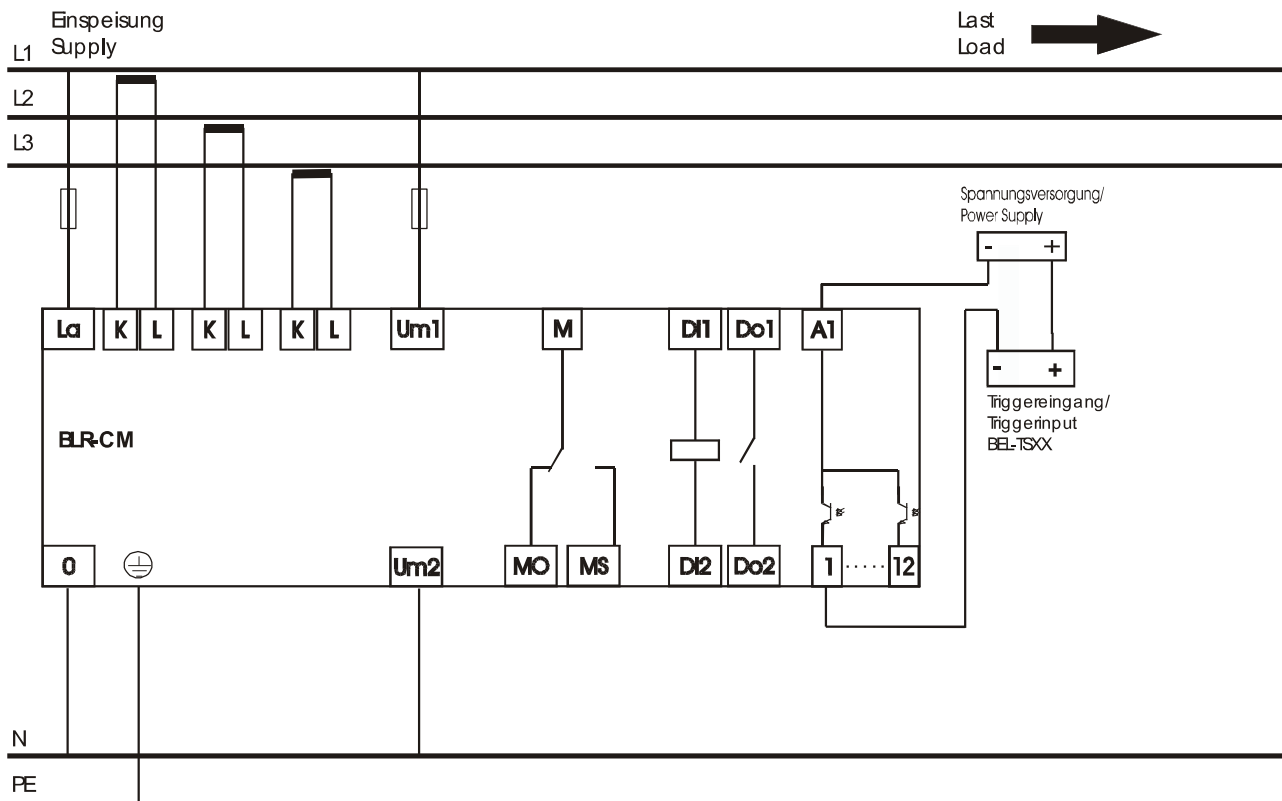
3.3 BLR-CM12RT



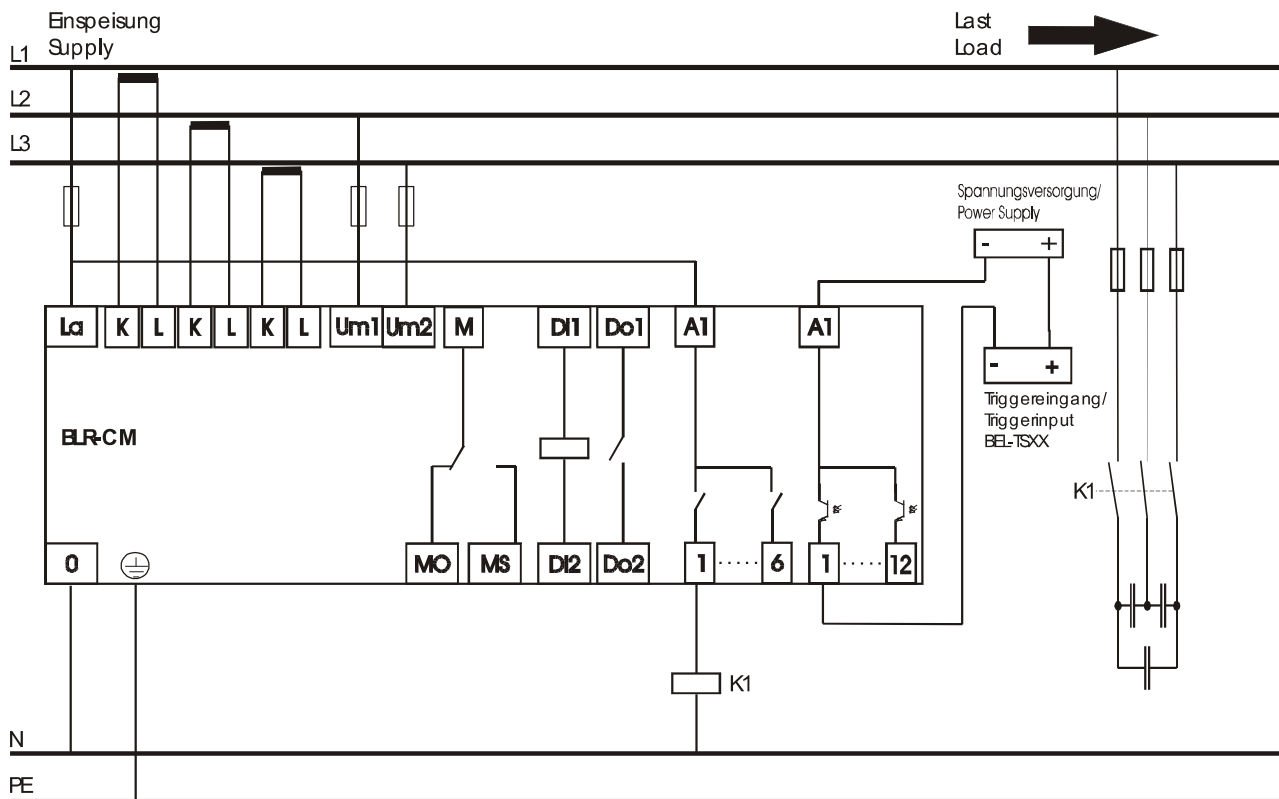
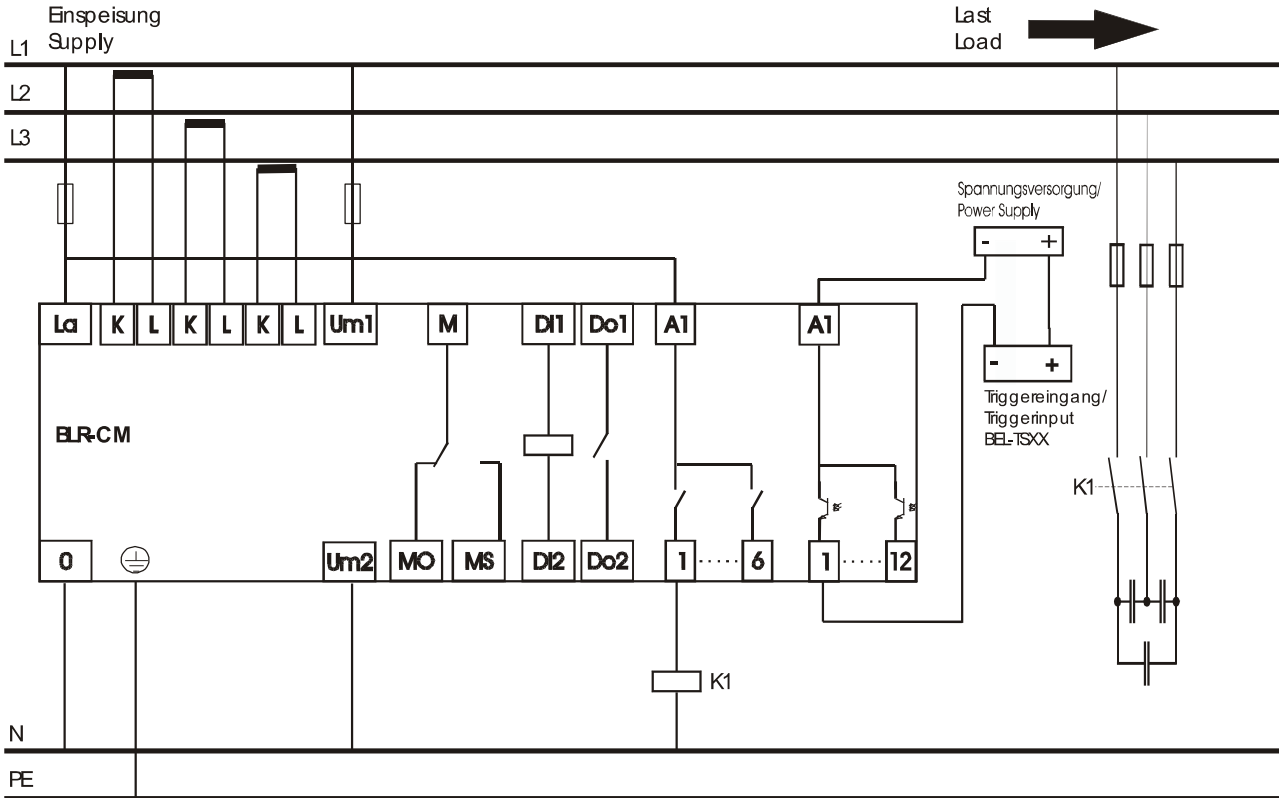
3.4 BLR-CM06/12R-3A (BLR-CM3phase)



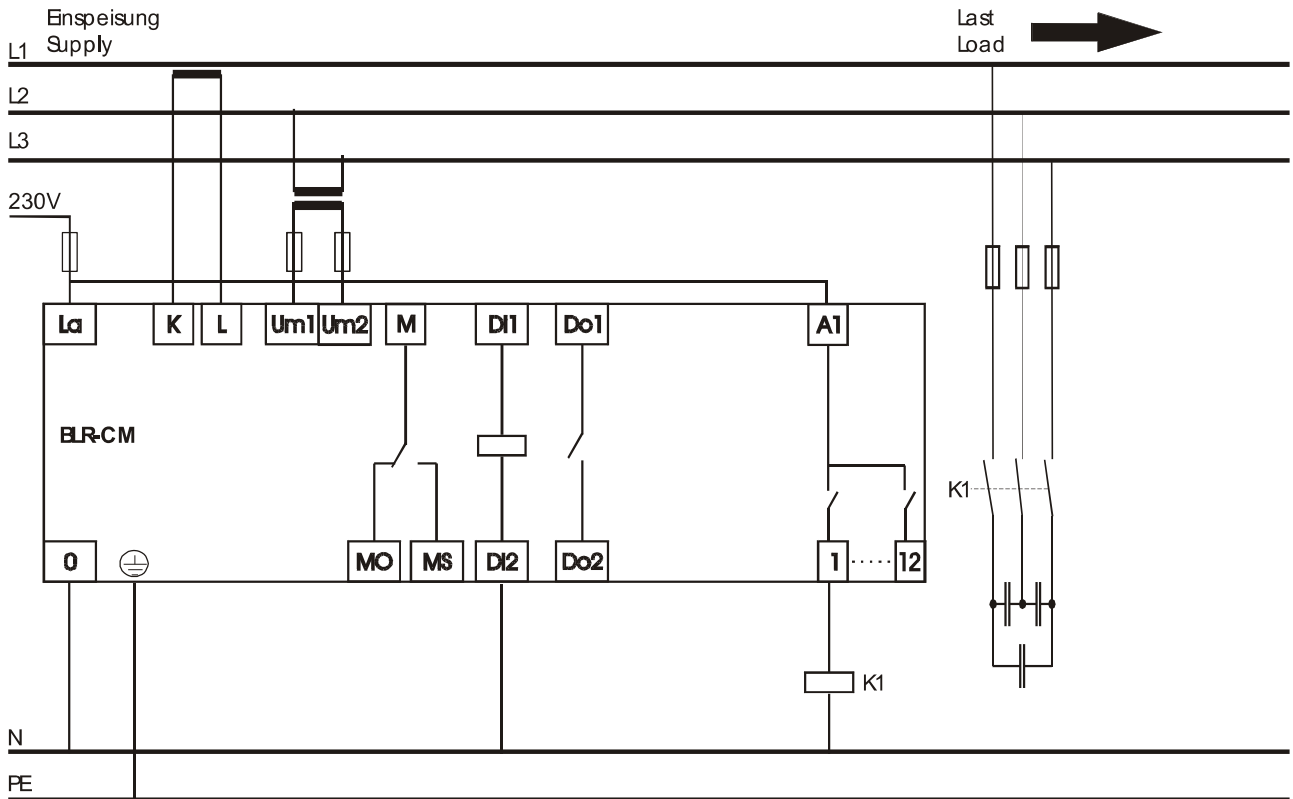
3.5 BLR-CM06/12T-3A (BLR-CM3phase)



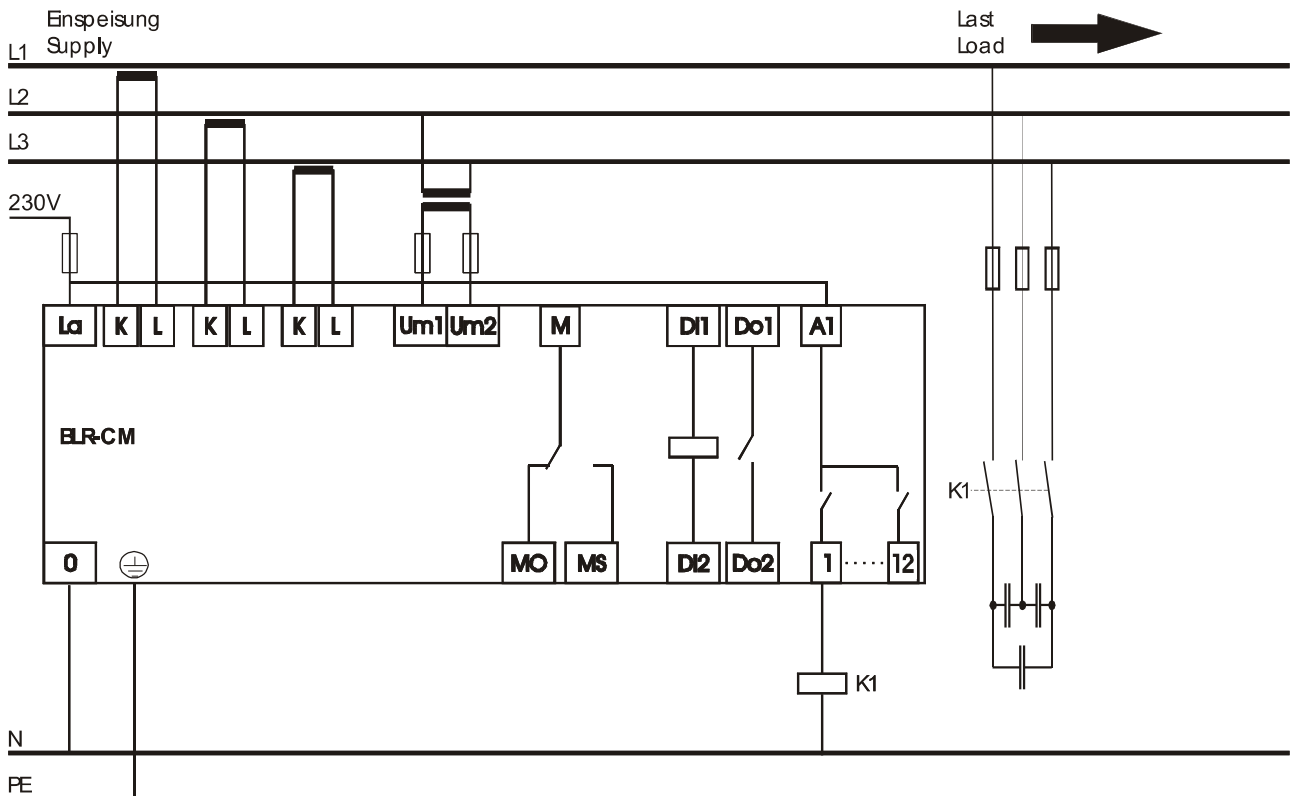
3.6 BLR-CM12RT-3A (BLR-CM3phase)



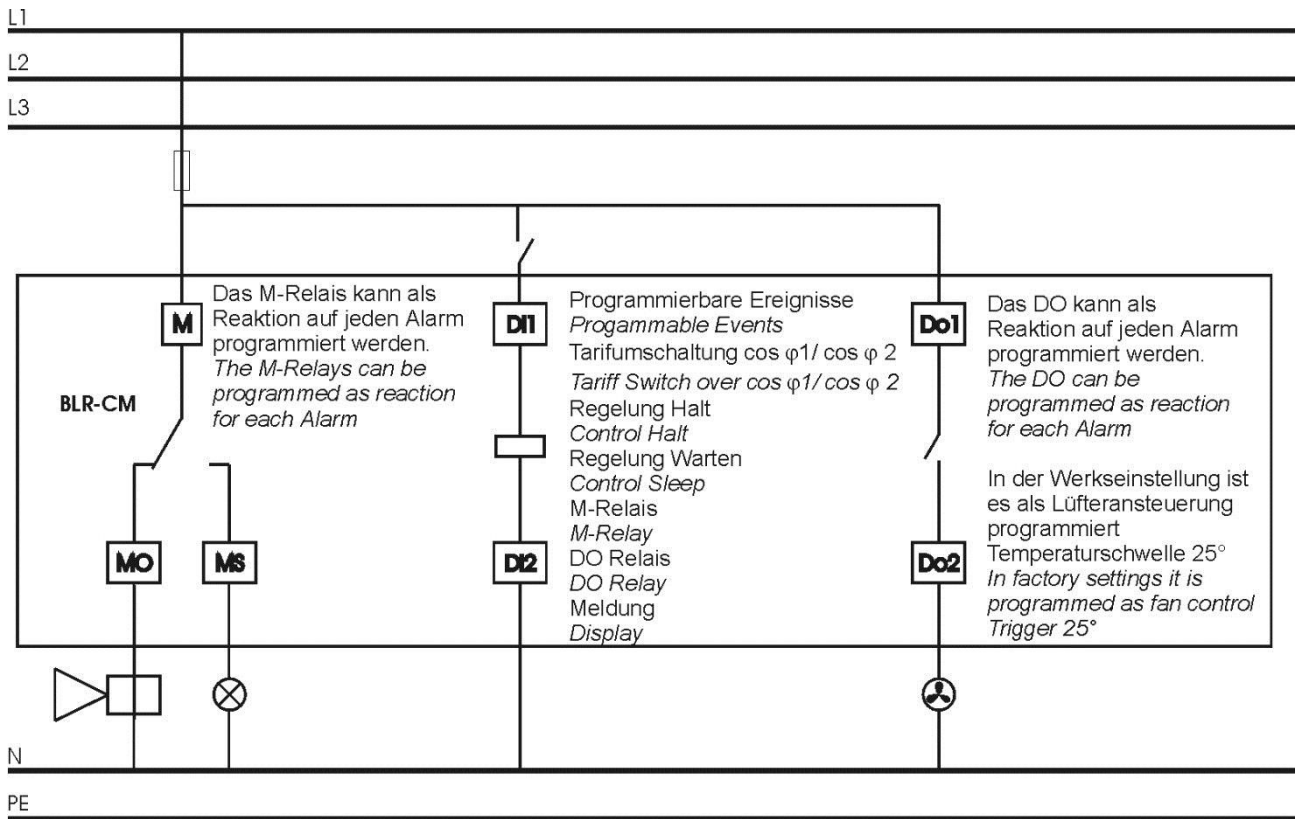
3.7 BLR-CM12R-HV



3.8 BLR-CM12R-3AHV (BLR-CM3phase)



3.9 BLR-CM I/O



3.10 Synchronisation Datenspeicher

L+ (10 - 30VDC)

