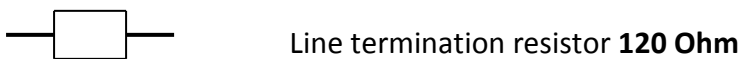
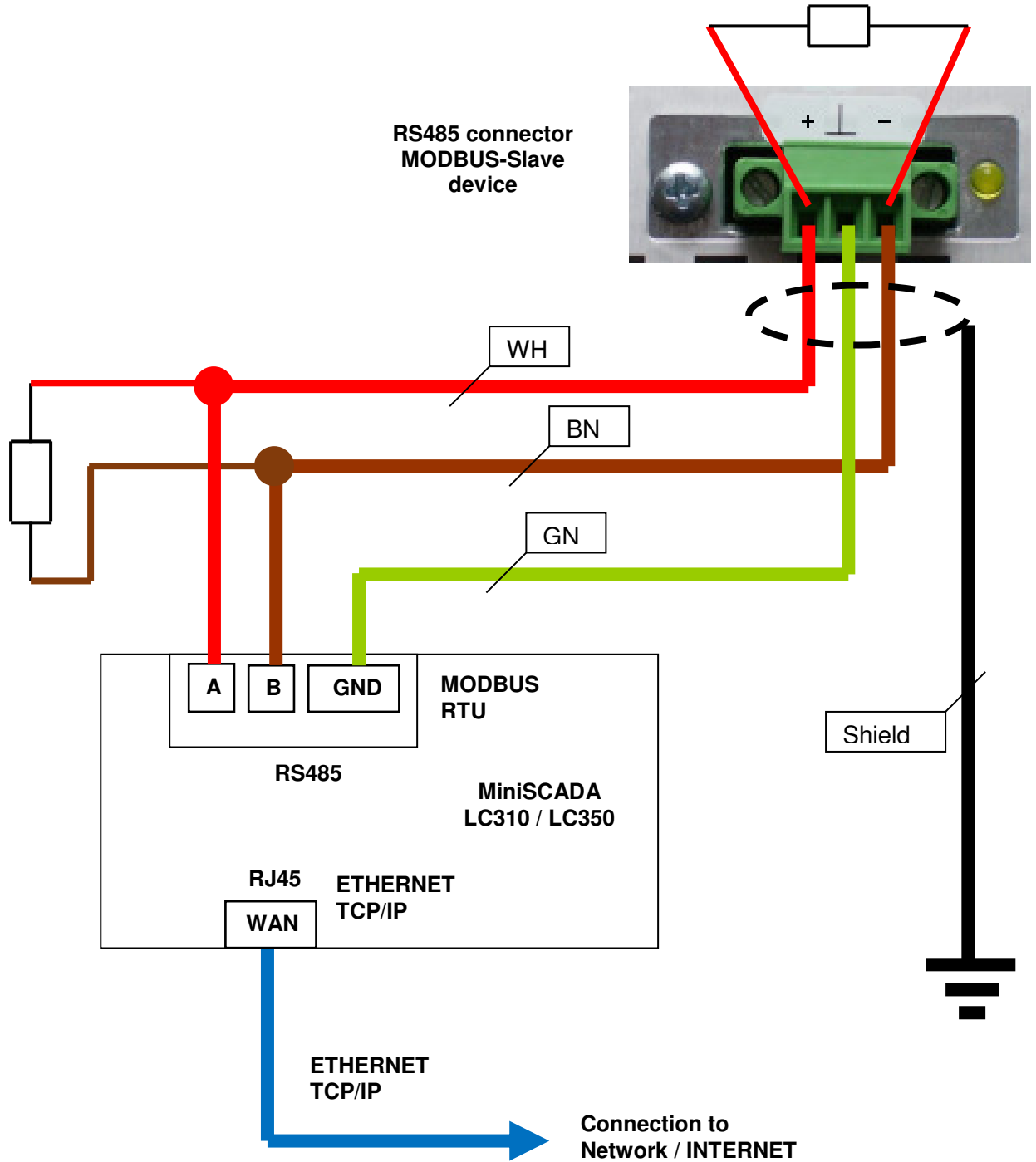


Connection of MODBUS-Slave devices with MiniSCADA LC310 / LC350



It's recommend to use line termination resistors of 100 Ohm...120 Ohm at both wire ends.



Revision list

Date	Name	Revision	Comment
04.09.19	ChP	01	Initial document release.