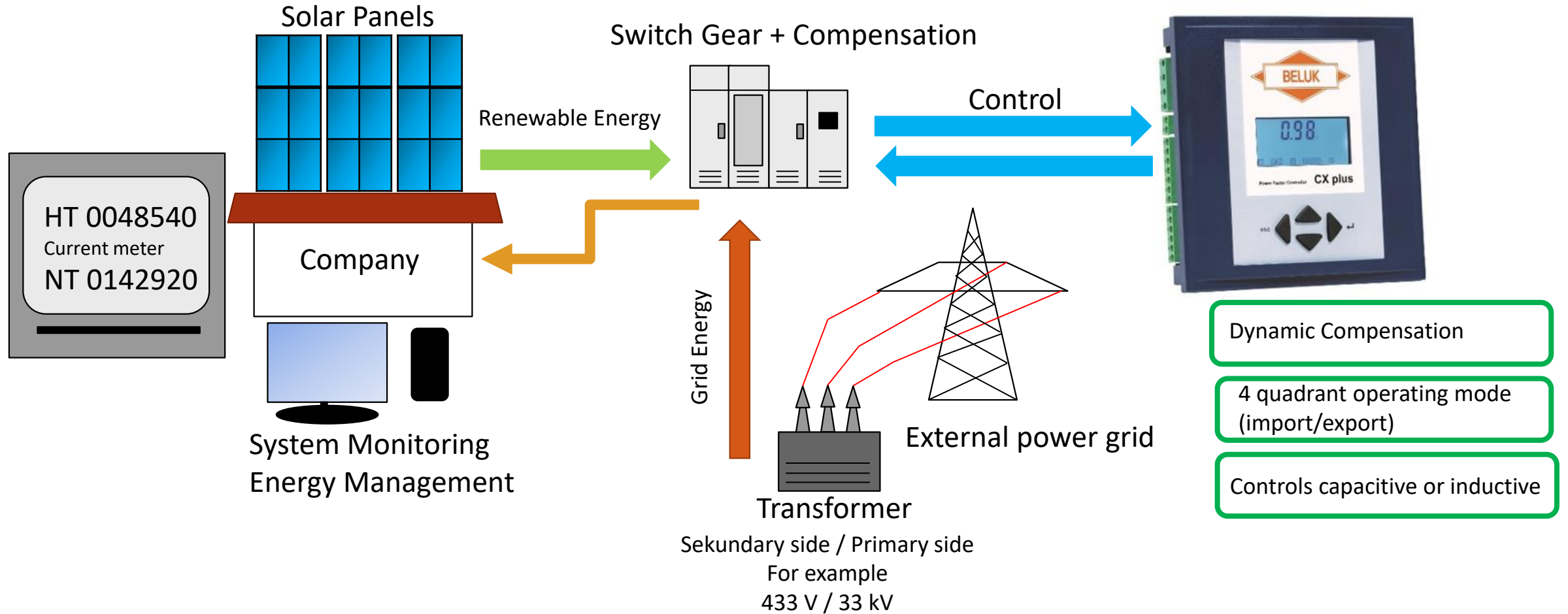


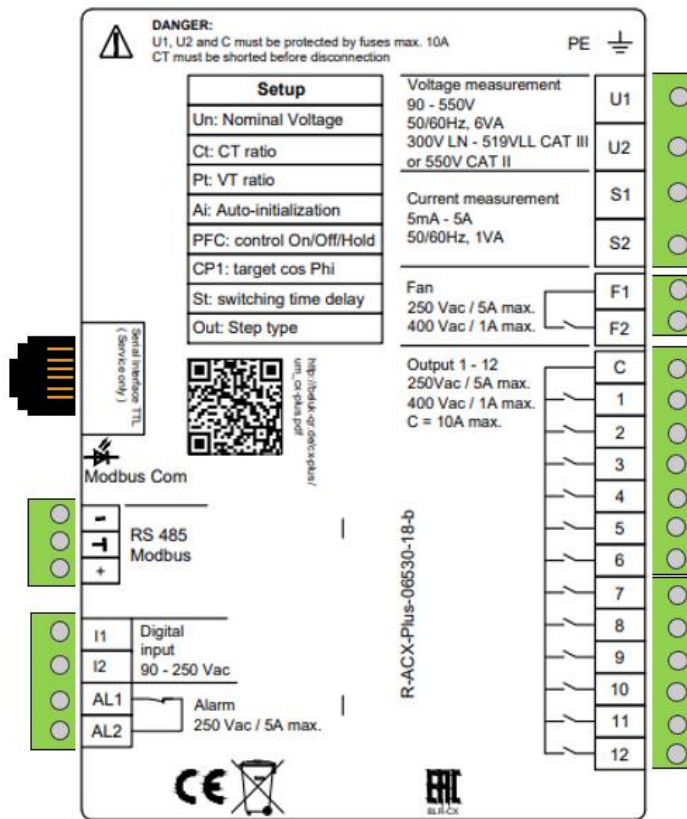
# BLR-CXplus

BELUK



# BLR-CXplus

BELUK



## Requirements:

- PV plant feeds in (EXPORT)
- Common control target (control of solar panel and control of grid energy)
- Control via remote control technology (MB RTU485)
- In the low-load range, compensation is not to be performed is possible

## Software settings:

### Controll Menu

- 302 Target cos phi 1
- 303 Target cos phi 2
- 304 Target cos phi 2 export

### ALARM Menu

- 511 Digital input logic
- 518 Digital input funktion
- 521 I-Low Alarm

### Digital input

(adjustable logic: HIGH- or LOW-active / input signal: 90 - 250V AC)

to switch target cos phi 1 and 2 or to suppress the I-Low alarm (DI)

## Example:

- 0,98 I
- 0,95 C
- YES

- YES
- CP2
- NO

CXPlus Configuration-Tool V005 (Default values \*)

CX plus Configuration Settings Help

### CONTROL

100 Quickstart	301 Control sensitivity 60.0 %	309 Block faulty steps Yes
200 Measurement	302 Target-cosφ 1 0.98 I	310 Control On
300 Control	303 Target-cosφ 2 0.80 C	311 Control algorithm BEST-FIT
400 Step database	304 Target-cosφ 2 if P.export Yes	312 Reactive power offset 0.00 Var
500 Alarm	305 Switching time 10.0 s	313 Asymmetry factor 1
600 Reset menu	306 Sw. time step exchange 2.0 s	314 Switch off if Q is cap No
700 Modbus	307 Step exchange Yes	315 Distribute sw. operations No
800 System	308 Step detection Yes	316 Detect faulty steps Yes

BELUK

CXPlus Configuration-Tool V005 (Default values \*)

CX plus Configuration Settings Help

### ALARM

100 Quickstart	501 Reset alarms manually No	513 TEMP2 threshold 55.0 °C
200 Measurement	502 THD-U threshold 20.0 %	514 Control alarm No
300 Control	503 Switch off steps No	515 Faulty steps alarm No
400 Step database	504 THD alarm delay 60.0 s	516 Step power loss alarm No
500 Alarm	505 Stop control if I=0 No	517 Flashing display No
600 Reset menu	506 Service alarm No	518 Digital input funktion CP 2
700 Modbus	507 Max. OPc steps 500000	519 I-Low alarm suppr. No
800 System	508 Max. OPn controller 65500 h	520 Switch off active steps if digital input alarm No
	509 Max. OPs steps 65500 h	521 I-Low alarm No
	510 THD-I threshold 50.0 %	522 I-High alarm delay 10.0 s
	511 Digital input logic Yes	523 Switch-off interval 60.0 s
	512 TEMP1 threshold 30.0 °C	

BELUK