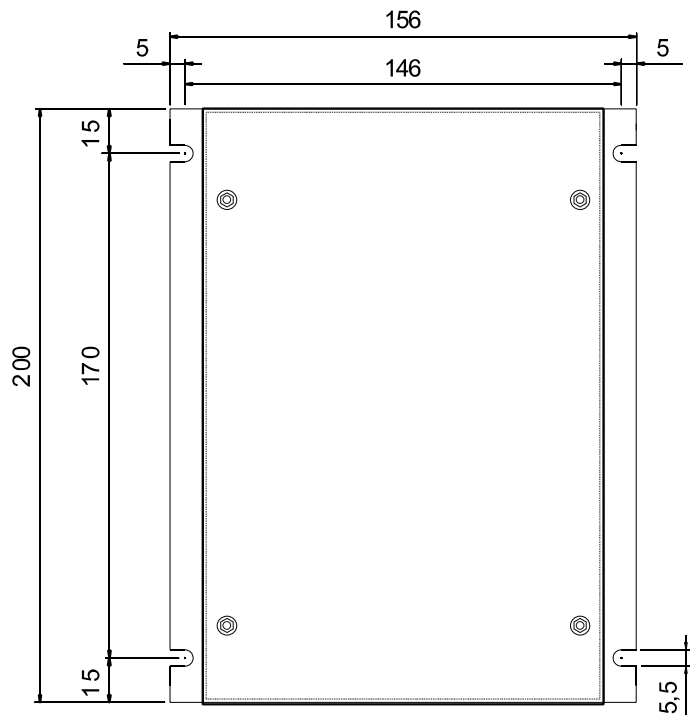
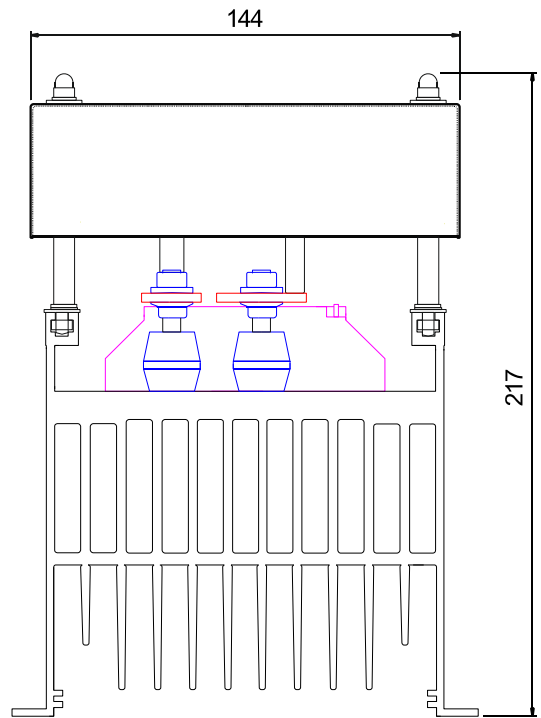




5. Dimensions

Without cooler:

- 3TA130H2-E*28X-0*





With cooler:

- 3TA130H2-E*28B-0*
- 3TA130H2-E*28C-0*

